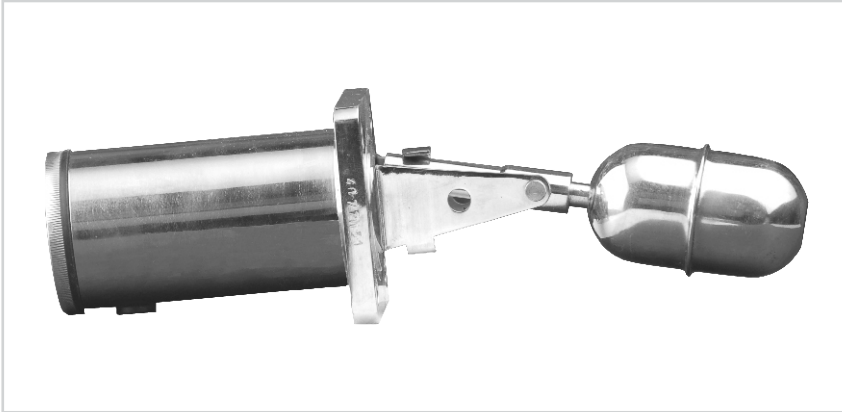




MAGNETIC LEVEL SWITCHES DUAL MAGNET HORIZONTAL MOUNTING FLOAT SWITCH



Principle of Operation :

"MAHALAXMI" make model MLS - 04 / MLS - 16 magnetic level switches work on the principle of magnetic repulsion and therefore they are glandless and leak proof instruments. A permanent magnet fitted in the tail piece of the float repels another magnet inside the switch housing which in turn operates an SPDT microswitch. Microswitch contacts can be utilized for

Salient Features :

- As our switches work on magnetic repulsion principle, they are glandless and leak proof.
- No power consumption.
- Internal assembly wirings are teflon insulated.
- Internal switch assembly bracket is of cast aluminium.
- Practically no maintenance is required except periodic cleaning.
- Suitable for 2.5" (65 mm) NB nozzle mounting. (for 63 mm dia float) and 2" (51 MM) NB nozzle for 48 mm dia float.
- Differential between make and break 10mm approximately.
- Maximum working pressure 10 kg/cm².
- Maximum working temperature - 250°C. (Process Temperature)
- Contact ratings of MICROSWITCH 5 AMPS at 230 VAC Resistive.
- Also available with Microswitch having current rating 10 A at 230 VAC Resistive.
- No of contacts : 1 change over as standard. Optional - 2 change over
- For high temperature upto 350°C (Process temperature) 1 number SPDT Reed switch with current rating 100 VA, max. switching current 5 Amps, max, switching voltage 230 VAC / 200 VDC
- Specific Gravity Range : Down to 0.75

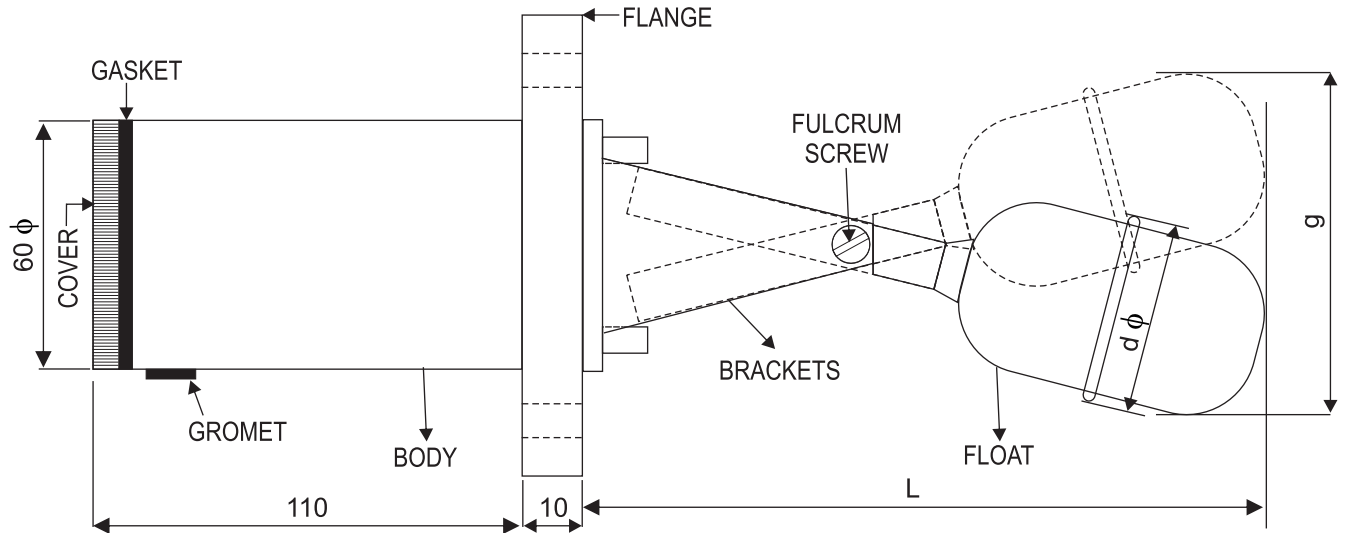
NOTE : Flanged connections as per ASA/BS/DIN or JIS available on request, as per customer requirement.

Caution :

- Level Switches should not be used for direct starting / stopping of pumps. An external relay or contractor must always be used with the level switch.
- MLS-04/MLS-16 side mounted level switches must always be mounted horizontally with outgoing cable entry facing downwards.
- In case of high temperature Model MLS-04-92 HT/MLS-16-92HT and (SMT-04-F82 and SMT-04-F92) Low Temperature Models arc suppressors/current limiting bias resistor must be provided depending on the load viz inductive or lamp load etc. to reduce the deteriorating effect of contacts due to surge voltages and high in-rush current.

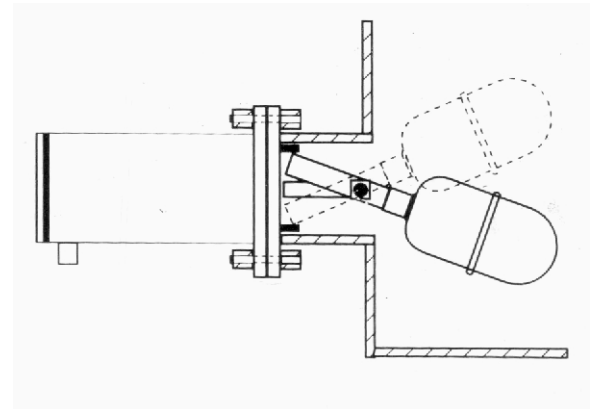
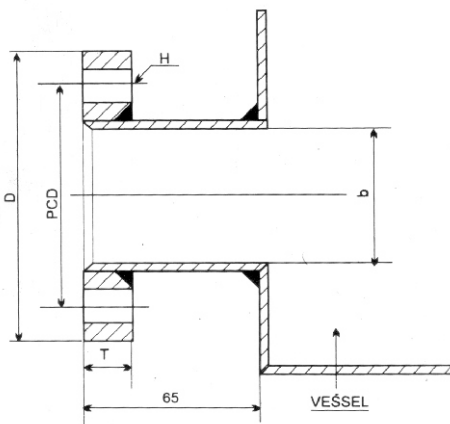


DIMENSION MODELS : (MLS - 04 - F 82) & (MLS - 16 - F 82) (MLS - 04 - F 92 S) & (MLS - 04 - F 92) & (MLS - 16 - F92 S) & (MLS - 16 - F 92)



L= 165 mm, g= 80 mm, with d= 49 mm f Float.

*** Applicable only for model MLS - 04/16 - F92, when 62 mm dia float is used,
L = 240 mm, g =135 mm, with d = 62 mm f**

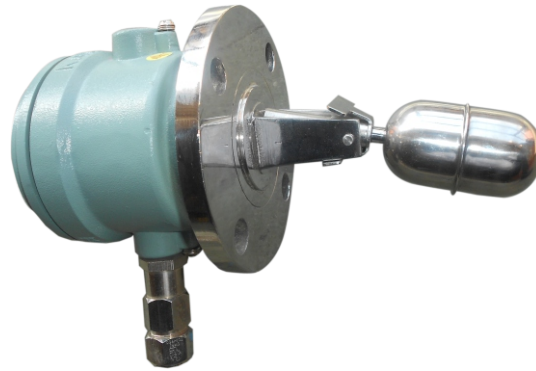


ALL DIMENSIONS ARE IN MILLIMETRE (TOLERANCE - ± 2 MM)

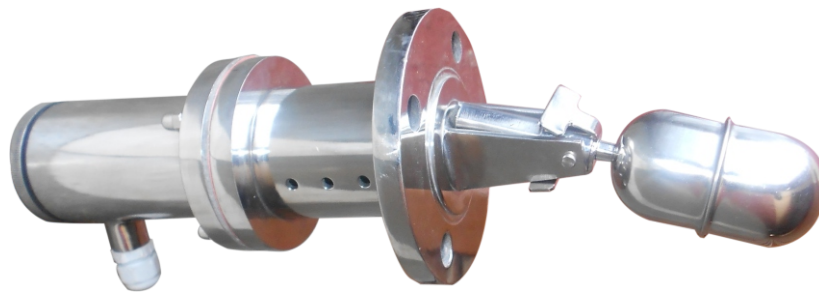
Technical Specifications :

Mahalaxmi make Model (MLS-04-F82) or (MLS-04-F92) side mounted magnetic Level Switch. Process connection- 82 or 92mm square flange with 4 bolt holes of 10/14mm dia on 82 or 92mm PCD respectively. Material of construction of flange, brackets, fulcrum screws, body and cover-SS 304 (For wetted parts in SS 316 please denote by 16 instead of 04 in the Model). SS 316 float. 1 no SPDT microswitch having current rating 5 Amps at 230 VAC resistive. Differential between make and break-1 Omm approximately. Maximum working pressure 10 kg/sq.cm and temperature 250 deg C. Specific gravity down to 0.7. Cable entry neoprene gromet. Supplied with 1.5 Metre long 3-core PVC Cable.

- Optional :**
- a) Micro switch with current rating 10 Amps at 230 VAC res.
 - b) Adjustable differential upto approx-250 mm
 - c) With 2 microswitches i.e., 2 NO + 2 NC



Model	MLS-16-F120-FLP.
Process Connection	2"ASA 150 LBS (Thickness 14mm \pm 1 mm) (Any flange size can be given as per the customers requirement)
Material of Construction	All wetted parts SS 316
Float	50 mm Dia x 85 mm long - SS316L.
Type of Switch	1 No. Change over Micro Switch.
Switch Rating	5 Amps at 230VAC.
Maximum Switching Voltage	230VAC
Maximum Working Temperature	225° C
Maximum Working Pressure	10 kg/cm ²
Enclosure	Flameproof suitable for Gr II A & Gr II B
Differential between make & break	10mm, (\pm 2mm)
Specific gravity	Down to 0.75



Model	MLS-16-F92-HT.
Process Connection	120mm Round flange with 4 bolt holes of 14 mm dia on 92mm PCD. (Any flange size can be given as per the customers requirement)
Extension	Intermediate Chamber with perforations for cooling
Material of Construction	All wetted parts SS 316
Float	50 mm Dia x 85 mm long - SS316
Type of Switch	1 No. Change over Micro Switch.
Switch Rating	5 Amps at 230VAC.
Maximum Switching Voltage	230VAC
Maximum Working Temperature	350° C
Maximum Working Pressure	10 kg/cm ²
Enclosure	SS 304 having neoprene grommet for cable entry.
Differential between make & break	10mm, (\pm 2mm)
Specific gravity	Down to 0.75