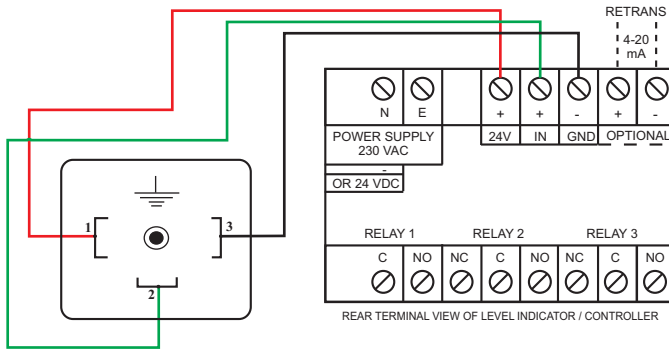


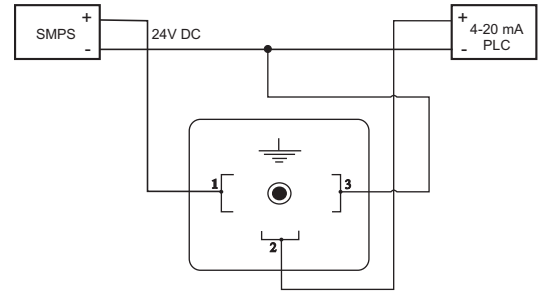


## Calibration of Push- Button Type Level Transmitter

CONNECTION WIRING DIAGRAM WITH DIGITAL INDICATOR / CONTROLLERS



CONNECTION TO PLC



1. First remove the screw of DIN rail connector and make connections as mentioned in wiring diagram i.e. Terminal 1: +24VDC Supply, Terminal 2: Output and Terminal 3: Common/Ground.
2. Capacitance is measured between 2 probes, the inner probe & outside pipe/probe.
3. In case outside pipe is not provided as in case of flexible rope type probe then the tank is considered as the second probe.
4. Please be noted that it is essential for the flange or TC end of the level transmitter to touch the tank. Hence if there is a gasket between the tank flange/TC & the level transmitter flange/TC then short it by fitting nuts, bolts or TC clamps.
5. Now the sensor is properly placed into the vessel or tank and is ready for calibration.
6. Now, remove the push button cover on transmitter to start calibration. you will see calibration push button with green LED.
7. Switch on the supply, now the green LED starts flashing.
8. To start calibration and for setting of 4 mA and 20 mA, press the push button and hold it until the green LED stops flashing (approximately 5 seconds) and becomes steady.
9. To set 4 mA empty the tank to the desired level and press the push button once. Now rise the level till the point where you want to calibrate the 20 mA. Once the level is reached press the push button once more and release.
10. After 5 seconds the LED stops blinking and becomes steady. Your instrument is calibrated for 4–20 mA.
11. This completes our calibration process.